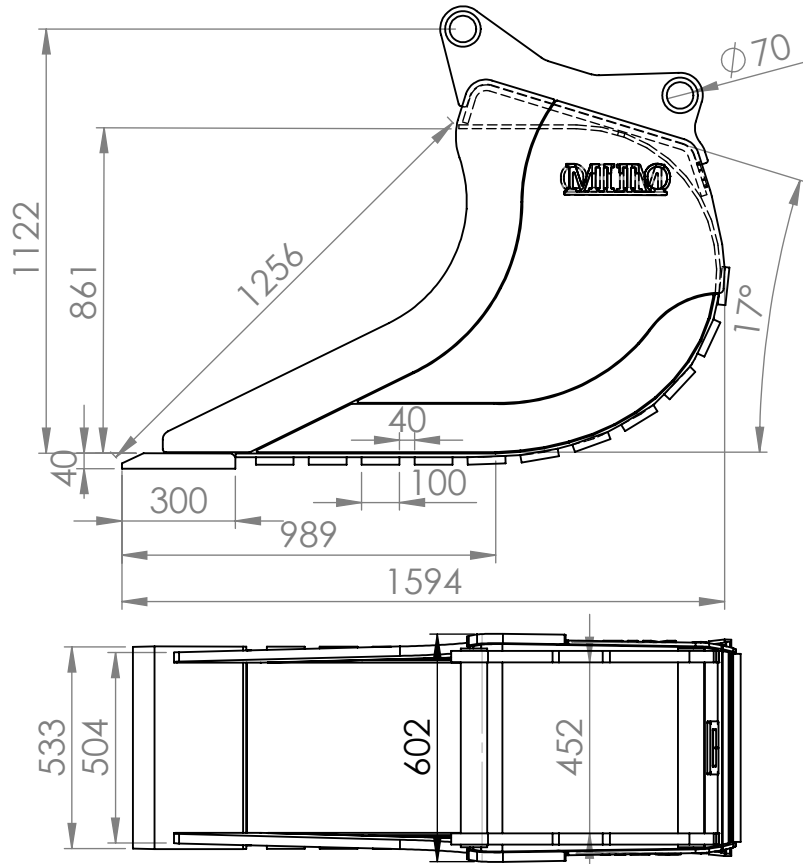


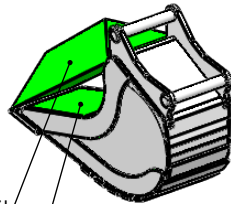
This drawing remains our property and is not to be copied without our permission, nor to be communicated to any competitor or other unauthorized person.

D



Extra volume: 89 lit
Water volume: 336 lit

Total volume: 425 lit
[ISO7451 equal to SAE1:1]



A

Pos.	SW-File Name(File Name)	Qty.	Weight	Material	Weight
1	1 Bottom back and up 70040500425T	1	95.09	Hardox 450	95.09
2	2 Roof 70040500425T	1	50.54	Strenx 700 E	50.54
3	3 Left side 70040500425T	1	28.94	S355	28.94
4	4 Right side 70040500425T	1	28.94	S355	28.94
5	5 Left frontside 70040500425T	1	42.17	Hardox 450	42.17
6	6 Right frontside 70040500425T	1	42.17	Hardox 450	42.17
7	7 Left below wearplate 70040500425T	1	28.91	Hardox 450	28.91
8	8 Right below wearplate 70040500425T	1	28.91	Hardox 450	28.91
9	9 Cutting edge 70040500425T	1	47.13	Cutting edge 500 HB	47.13
10	10 Left side S70 70040500425T	1	22.26	S355	22.26
11	11 Right side S70 70040500425T	1	22.26	S355	22.26
12	12 Axle S70 70040500425T	2	15.79	Steel	15.79
13	13 Wear strip 1 to 4 70040500425T	4	8.33	Wear strip 500 HB	8.33
14	14 Wear strip 5 70040500425T	1	8.33	Wear strip 500 HB	8.33
15	15 Wear strip 6 70040500425T	1	8.35	Wear strip 500 HB	8.35
16	16 Wear strip 7 70040500425T	1	8.41	Wear strip 500 HB	8.41
17	17 Wear strip 8 70040500425T	1	8.51	Wear strip 500 HB	8.51
18	18 Wear strip 9 70040500425T	1	8.66	Wear strip 500 HB	8.66
19	19 Wear strip 10 70040500425T	1	8.86	Wear strip 500 HB	8.86
20	20 Wear strip 11 70040500425T	1	7.68	Wear strip 500 HB	7.68
21	Skyllthållare	1	0.42	S355	0.42
22	MITO LOGO for S60 and S70	2	0.59	Steel	0.59

Drawn by Fredrik A	Date 2019-12-12	Approved by	Date	Material Hardox in my body - SSAB	Weight 562.61 kg	Surface finish	Projection	
				Description Cable bucket 425 lit - S70	Tolerance (Unless otherwise stated)	Size A4	Scale 1:50	Sheet 1of (1)
				Drawing number 70040500425T		Revision		

6

5