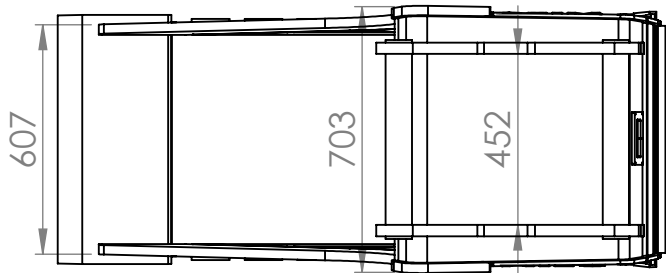
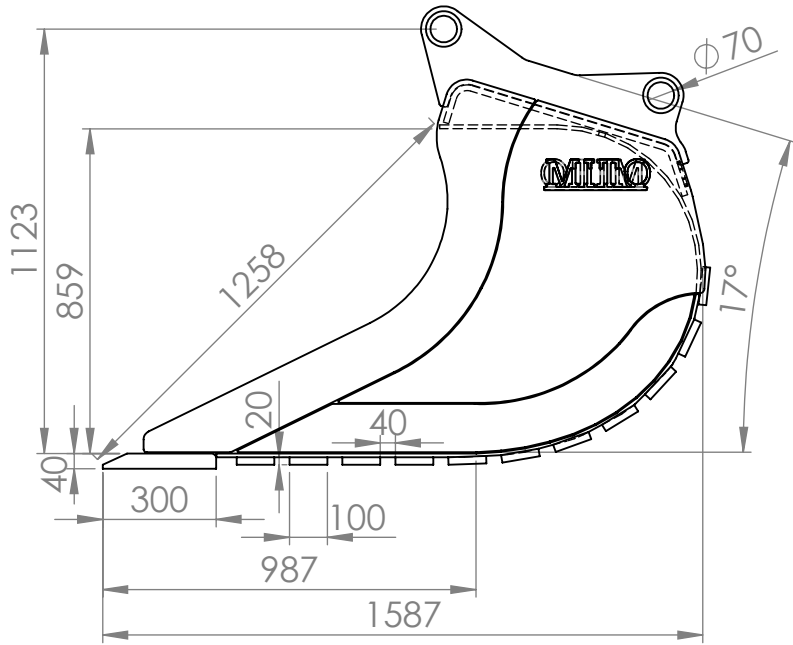
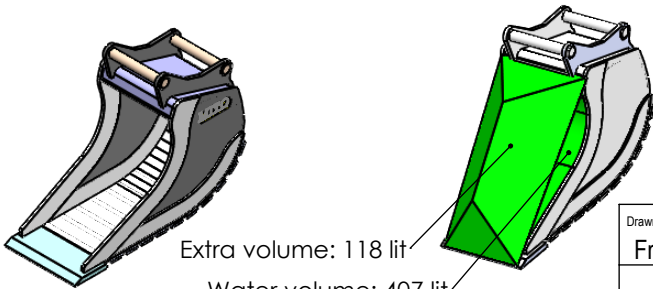


This drawing remains our property and is not to be copied without our permission, nor to be communicated to any competitor or other unauthorized person.

D



A



Total volume: 525 lit
[ISO7451 equal to SAE1:1]

Pos.	Qty.	SW-File Name(File Name)	Material	Weight
1	1	1 Bottom back and up 70040700625T	Wear strip 500 HB	113.84
2	1	2 Roof 70040700625T	Strenx 700 E	60.23
3	1	3 Left side 70040700625T	S355	28.94
4	1	4 Right side 70040700625T	S355	28.94
5	1	5 Left frontside 70040700625T	Hardox 450	42.17
6	1	6 Right frontside 70040700625T	Hardox 450	42.17
7	1	7 Left below wearplate 70040700625T	Hardox 450	28.91
8	1	8 Right below wearplate 70040700625T	Hardox 450	28.91
9	1	9 Cutting edge 70040700625T	Cutting edge 500 HB	56.37
10	1	10 Left side S70 70040700625T	S355	22.26
11	1	11 Right side S70 70040700625T	S355	22.26
12	2	12 Axle S70 70040700625T	Steel	15.79
13	4	13 Wear strip 1 to 4 70040700625T	Wear strip 500 HB	9.94
14	1	14 Wear strip 5 70040700625T	Wear strip 500 HB	9.94
15	1	15 Wear strip 6 70040700625T	Wear strip 500 HB	9.96
16	1	16 Wear strip 7 70040700625T	Wear strip 500 HB	10.02
17	1	17 Wear strip 8 70040700625T	Wear strip 500 HB	10.12
18	1	18 Wear strip 9 70040700625T	Wear strip 500 HB	10.27
19	1	19 Wear strip 10 70040700625T	Wear strip 500 HB	10.47
20	1	20 Wear strip 11 70040700625T	Wear strip 500 HB	9.29
21	1	Skyllhållare	S355	0.42
22	2	MITO LOGO for S60 and S70	S355	0.59
23	1	P	-	0.00

Drawn by Fredrik A	Date 2019-12-13	Approved by	Date	Material Hardox in my body - SSAB	Weight 618.00 kg	Surface finish	Projection 	
				Description Cable bucket 525 lit - S70	Tolerance (Unless otherwise stated)	Size A4	Scale 1:50	Sheet 1of (1)
					Drawing number 70040600525T			Revision

6

5