

2019 **EN**

100
ATLAS 1919 - 2019

WWW.ATLASGMBH.COM

ATLAS
SINCE 1919
GROUP



ATLAS KOMPAKT

Excavator AC 08B

Operating Weight	1.01t(rubber track)
Engine Power	7.2kW/2400rpm
Engine Brand	YANMAR
Standard Bucket Capacity	0.022m ³
Max. Digging Depth	1.82m



Excavator AC 08B

Parameter

ENGINE

Brand	Yanmar
Model	2TNV70
Type	2-cylinder water-cooled indirect injection
Displacement	0.57 L
Power	7.2 kW/2400 rpm

DIMENSIONS

Counterweight Clearance	410 mm
Tail Swing Radius	750 mm
Shipping Length	2640 mm
Shipping Width	740 mm
Shipping Height	2125 mm

ELECTRIC SYSTEM

Nominal Voltage	12 V
Batteries	36 Ah
Alternator	12 V-40 A
Starter	12 V-1.0 kW

WORKING RANGES

Max. Cutting Height	3082 mm
Max. Loading Height	2304 mm
Max. Digging Depth	1824 mm
Max. Vertical Wall Digging Depth	1439 mm
Max. Digging Reach	3178 mm
Max. Reach at Ground Level	3062 mm
Bucket Digging Force	9.4 kN
Stick Digging Force	5.8 kN
Ground Pressure	24.5 kPa
Swing Speed	8.2 rpm

DRIVE

Max. Travel Speed (2nd/1st)	2.9/1.5 km/h
Gradeability	30°
Max. Traction	9.4 kN

UNDERCARRIAGE

Undercarriage Width	740/900 mm
Shoe Width	180 mm
Length to Center of Rollers	800 mm
Track Length	1224 mm
Track Height	330 mm

CAPACITY

Fuel Tank	10 L
Hydraulic Oil Tank	9.5 L

BULLDOZING BOARD

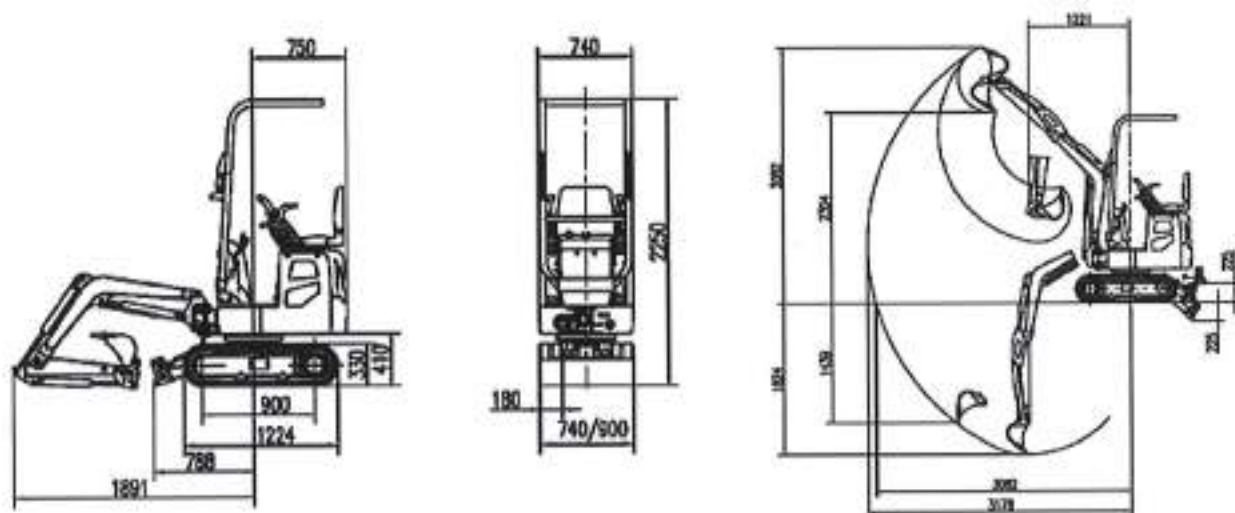
Independent Moving, Controlled By The Gear Shift Lever	
Length X Width	800X187 mm
Max. Lifting Height	225 mm
Max. Cutting Depth	225 mm

HYDRAULIC SYSTEM

Main Pumps	
Type	3 gear pumps
Displacement	3x9.6 L/min
Working Pressure	2x16 MPa

Excavator AC 08B

Working Ranges



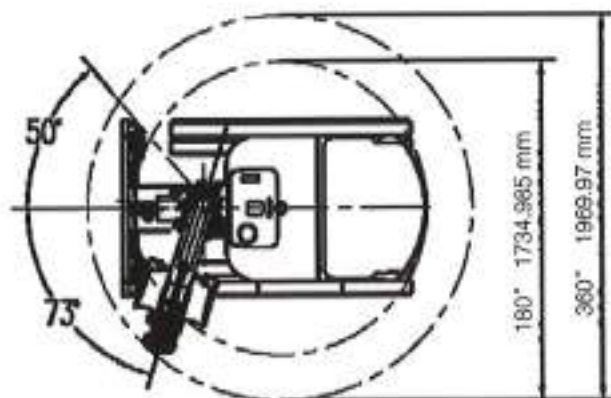
Load Capacity

B(m)	A(m)	MAX		2.0 m		1.5 m		1.0 m	
		Front(kg)	Side(kg)	Front(kg)	Side(kg)	Front(kg)	Side(kg)	Front(kg)	Side(kg)
2.0		119.60*	86.60	129.20*	107.30	—	—	—	—
1.5		148.40*	66.00	177.10*	99.00	191.40*	169.20	—	—
1.0		157.90*	61.90	100.50*	94.90	167.50*	148.50	416.40*	264.00
0.5		157.90*	61.90	172.30*	86.60	291.90*	132.00	488.20*	227.00
0.0		195.20*	70.10	224.90*	86.60	349.40*	136.20	445.10*	202.20
-0.5		185.60*	74.30	224.90*	82.50	330.20*	123.60	392.40*	177.40
-1.0		205.80*	127.90	—	—	224.90*	136.20	287.10*	243.40

Notes:

- 1) Load with * is limited by hydraulic capacity and based on ISO 10567. Rated loads do not exceed 87% of hydraulic capacity.
- 2) Load without * is limited by tipping load and based on ISO 10567. Rated loads do not exceed 75% of tipping load.

ATLAS KOMPACT GMBH
 Stedinger Straße 324
 27751 Delmenhorst
 Germany
WWW.ATLAS-KOMPACT.COM



ATLAS KOMPAKT

Excavator AC 18UB

Operating Weight	1.88 t (rubber track)
Engine Power	14.7 kW/2200 rpm
Engine Brand	PERKINS
Standard Bucket Capacity	0.04 m ³
Max. Digging Depth	2.20 m



Excavator AC 18UB

Parameter

ENGINE

Brand	PERKINS
Model	403D-11
Type	3-cylinder water-cooled indirect injection
Displacement	1.1 L
Power	14.7 kW/2200 rpm

DIMENSIONS

Counterweight Clearance	436 mm
Tail Swing Radius	680 mm
Shipping Length	3582 mm
Shipping Width	990 mm
Shipping Height	2415 mm

ELECTRIC SYSTEM

Nominal Voltage	12 V
Batteries	60 Ah
Alternator	12 V-40 A
Starter	12 V-1.4 kW

WORKING RANGES

Max. Cutting Height	3458 mm
Max. Loading Height	2431 mm
Max. Digging Depth	2206 mm
Max. Vertical Wall Digging Depth	1590 mm
Max. Digging Reach	3942 mm
Max. Reach at Ground Level	3848 mm
Bucket Digging Force	22.7 kN
Stick Digging Force	11.24 kN
Ground Pressure	30.3 kPa
Swing Speed	10 rpm

DRIVE

Max. Travel Speed (2nd/1st)	3.5/2.0 km/h
Gradeability	30°
Max. Traction	16.7 kN

UNDERCARRIAGE

Undercarriage Width	990/1320 mm
Shoe Width	230 mm
Length to Center of Rollers	1210 mm
Track Length	1538 mm
Track Height	352 mm

CAPACITY

Fuel Tank	21 L
Hydraulic Oil Tank	17 L

BULLDOZING BOARD

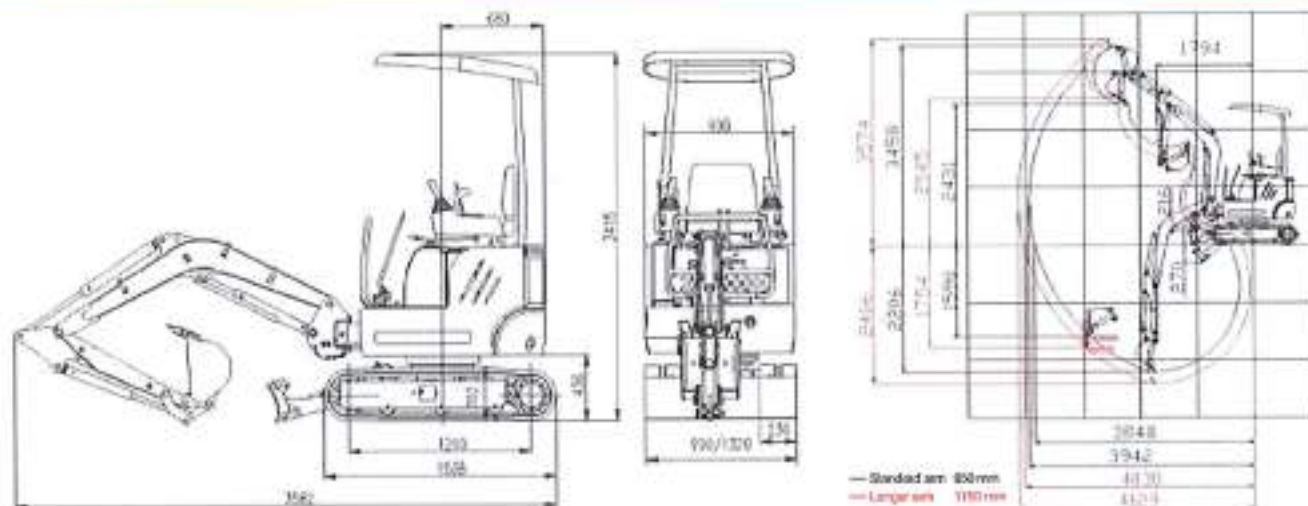
Independent moving, controlled by the gear shift lever	
Length X Width	1320X267 mm
Max. Lifting Height	216 mm
Max. Cutting Depth	270 mm

HYDRAULIC SYSTEM

Main Pumps	
Type	2 variable displacement pumps, 1 gear pump
Displacement	2x21+15 L/min
Working Pressure	20/18 MPa

Excavator AC 18UB

Working Ranges



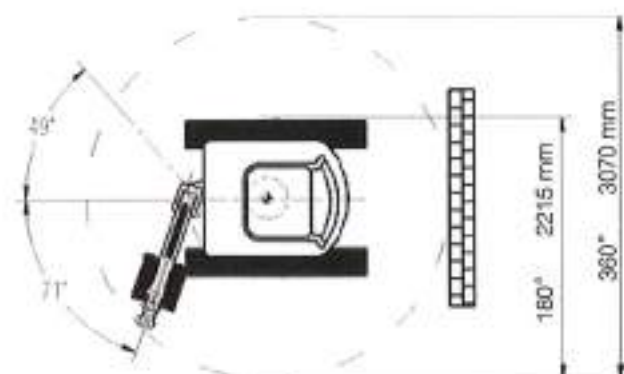
Load Capacity (standard arm: 0.95 m)

B(m)	A(m)	MAX		3.0 m		2.5 m		2.0 m	
		Front(kg)	Side(kg)	Front(kg)	Side(kg)	Front(kg)	Side(kg)	Front(kg)	Side(kg)
2.5		220.10*	224.90*	205.80*	215.40*	—	—	—	—
2.0		220.10*	224.90*	220.10*	224.90*	244.10*	244.10*	—	—
1.5		239.30*	234.50*	244.10*	239.30*	263.20*	258.40*	335.00*	335.00*
1.0		229.70*	234.50*	244.10*	248.90*	272.80*	296.70*	368.50*	406.80*
0.5		234.50*	239.30*	272.80*	272.80*	349.40*	349.40*	473.80*	464.20*
0.0		258.40*	258.40*	268.00*	277.60*	325.40*	354.10*	449.90*	489.00*
-0.5		263.20*	258.40*	263.20*	258.40*	325.40*	315.90*	489.00*	449.90*
-1.0		253.60*	253.60*	—	—	272.80*	263.20*	368.50*	358.90*

Notes:

- 1) Load with * is limited by hydraulic capacity and based on ISO 10567. Rated loads do not exceed 87% of hydraulic capacity.
- 2) Load without * is limited by tipping load and based on ISO 10567. Rated loads do not exceed 75% of tipping load.

ATLAS KOMPAKT GMBH
 Stedinger Straße 324
 27751 Delmenhorst
 Germany
WWW.ATLAS-KOMPAKT.COM



ATLAS KOMPAKT

Excavator AC 25B

Operating Weight	2.58t
Engine Power	15.5kW/2200rpm
Engine Brand	YANMAR
Standard Bucket Capacity	0.066m ³
Max. Digging Depth	2.38m



Excavator AC 25B

Parameter

ENGINE

Brand	YANMAR
Model	3TNV82A
Type	3-cylinder 4-stroke water cooled
Displacement	1.33L
Power	15.5kW/2200rpm

DIMENSIONS

Counterweight Clearance	546mm
Tail Swing Radius	1050mm
Shipping Length	4220mm
Transport Width	1400mm
Shipping Height	2400mm

ELECTRIC SYSTEM

Nominal Voltage	12V
Batteries	63Ah
Alternator	12V-40A
Starter	12V-1.7kW

WORKING RANGES

Max. Cutting Height	4018mm
Max. Loading Height	2812mm
Max. Digging Depth	2375mm
Max. Vertical Wall Digging Depth	1533mm
Max. Digging Reach	4463mm
Max. Reach at Ground Level	4317mm
Bucket Digging Force	20.8kN
Stick Digging Force	13kN
Ground Pressure	38kPa
Swing Speed	8rpm

DRIVE

Max. Travel Speed (2nd/1st)	4.1/2.7km/h
Gradeability	30°
Max. Traction	19kN

UNDERCARRIAGE

Undercarriage Width	1400mm
Shoe Width	250mm
Length to Center of Rollers	1430mm
Track Length	1856mm
Track Height	473mm

CAPACITY

Fuel Tank	42.5L
Hydraulic Oil Tank	30L

BUILDING BOARD

independent moving, controlled by the gear shift lever	
Length X Width	1400X324mm
Max. Lifting Height	270mm
Max. Cutting Depth	310mm

HYDRAULIC SYSTEM

Main Pumps	
Type	2 variable displacement pumps, 1 gear pump
Displacement	2x29+21L/min
Working Pressure	24.5/20.5MPa

ATLAS KOMPAKT

Excavator AC 20B

Operating Weight	1.94 t (rubber track)
Engine Power	13.3 kW/2200 rpm
Engine Brand	YANMAR
Standard Bucket Capacity	0.04 m ³
Max. Digging Depth	2.38 m



Excavator AC 20B

Parameter

ENGINE

Brand	YANMAR
Model	3TNV76-SSU
Type	3-cylinder water-cooled indirect injection
Displacement	1.116 L
Power	13.3 kW/2200 rpm

DIMENSIONS

Counterweight Clearance	482 mm
Tail Swing Radius	1120 mm
Shipping Length	3820 mm
Transport Width	990 mm
Shipping Height	2370 mm

ELECTRIC SYSTEM

Nominal Voltage	12 V
Batteries	63 Ah
Alternator	12 V-40 A
Starter	12 V-1.4 kW

WORKING RANGES

Max. Cutting Height	3770 mm
Max. Loading Height	2720 mm
Max. Digging Depth	2380 mm
Max. Vertical Wall Digging Depth	1870 mm
Max. Digging Reach	4040 mm
Max. Reach at Ground Level	3945 mm
Bucket Digging Force	22.7 kN
Stick Digging Force	9.9 kN
Ground Pressure	30 kPa
Swing Speed	10 rpm

DRIVE

Max Travel Speed (2nd/1st)	3.5/2.0 km/h
Gradeability	30°
Max. Traction	16.7 kN

UNDERCARRIAGE

Undercarriage Width	990/1360 mm
Shoe Width	230 mm
Length to Center of Rollers	1210 mm
Track Length	1555 mm
Track Height	385 mm

CAPACITY

Fuel Tank	23 L
Hydraulic Oil Tank	35 L

BULLDOZING BOARD

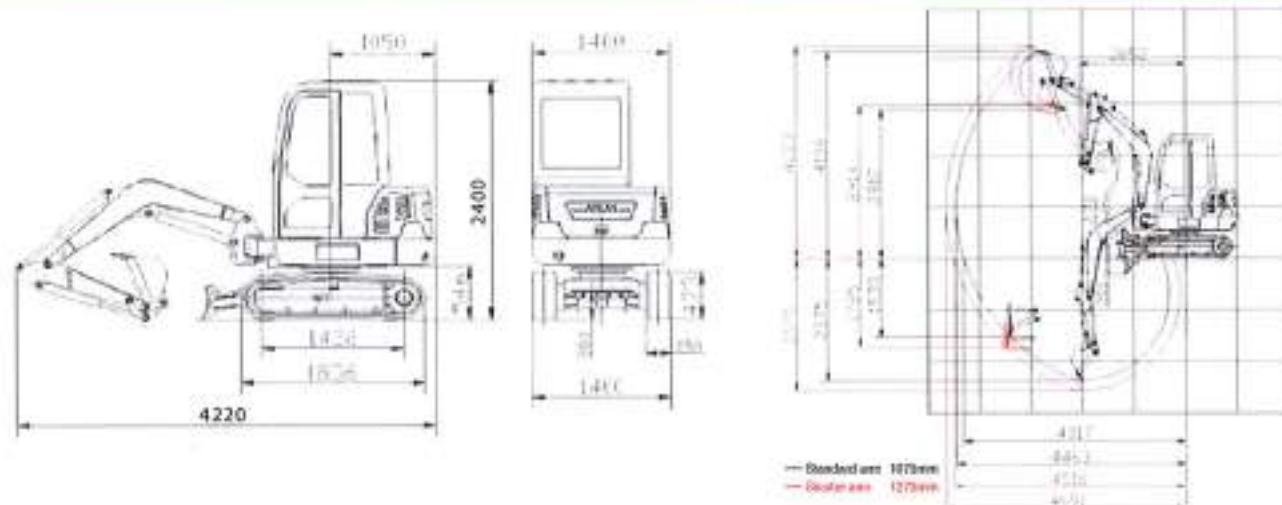
Independent moving, controlled by the gear shift lever	
Length X Width	1360x267 mm
Max. Lifting Height	295 mm
Max. Cutting Depth	360 mm

HYDRAULIC SYSTEM

Main Pumps	
Type	2 variable displacement pumps, 1 gear pump
Displacement	2x21+15 L/min
Working Pressure	22.5/18 MPa

Excavator AC 25B

Working Ranges



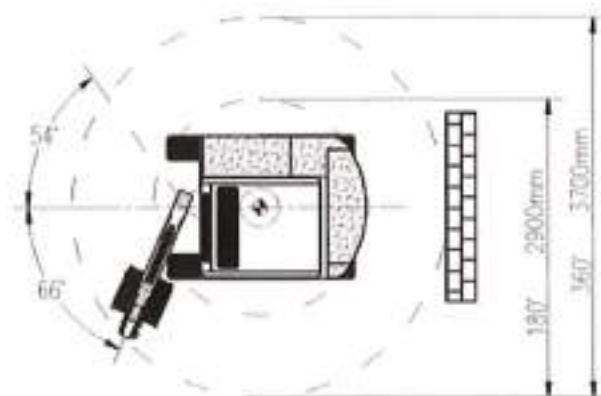
Load Capacity

A(m) \ B(m)	MAX		3.5m		3.0m		2.5m		2.0m	
	Front(kg)	Side(kg)	Front(kg)	Side(kg)	Front(kg)	Side(kg)	Front(kg)	Side(kg)	Front(kg)	Side(kg)
3.0	489.00*	404.30	—	—	489.00*	404.30	—	—	—	—
2.5	497.70*	350.70	—	—	512.10*	424.90	—	—	—	—
2.0	536.00*	313.50	550.40*	445.60	536.00*	424.90	670.00*	515.70	—	—
1.5	540.80*	288.80	564.70*	440.10	612.60*	420.80	813.60*	528.10	—	—
1.0	555.10*	290.50	583.90*	429.10	703.50*	396.10	875.80*	503.30	—	—
0.5	574.30*	276.40	617.40*	407.10	703.50*	371.30	961.90*	470.30	—	—
0.0	612.60*	276.40	650.90*	386.10	813.60*	358.90	947.60*	449.70	1292.20*	698.20
-0.5	650.90*	309.40	—	—	756.10*	367.20	861.40*	474.40	1196.40*	577.60
-1.0	679.60*	363.10	—	—	679.60*	375.40	823.10*	466.20	1005.00*	573.50

Notes:

- 1) Load with * is limited by hydraulic capacity and based on ISO 10567. Rated loads do not exceed 87% of hydraulic capacity.
- 2) Load without * is limited by tipping load and based on ISO 10567. Rated loads do not exceed 75% of tipping load.

ATLAS KOMPAKT GMBH
 Stedinger Straße 324
 27751 Delmenhorst
 Germany
WWW.ATLAS-KOMPACT.COM




ATLAS KOMPAKT

Excavator AC 35UF

Operating Weight	3.85 t
Engine power	18.5 kW /2200 rpm
Engine brand	KUBOTA
Standard Bucket Capacity	0.11 m ³
Max. Digging Depth	3.12 m



Parameter

 www.atlas-kompakt.com

ENGINE

Brand	Kubota
Model	D1703-E4B-SWD-1
Type	3 cylinder water cooled
Displacement	1647 cm ³
Power	18.5kW/2200rpm

ELECTRIC SYSTEM

Nominal Voltage	12 V
Batteries	63 Ah
Alternator	12 V - 40 A
Starter	12 V - 1.7 kW

DRIVE

Max. Travel Speed (2ns/1st)	4.2/2.3 km/h
Gradeability	30°
Max. Traction	33.5 kN

UNDERCARRIAGE

Undercarriage Width	1700 mm
Shoe Width	300 mm
Length to Center of Rollers	975 mm
Track Length	1299 mm
Track Height	330 mm

BULLDOZING BOARD

Independent Moving, Controlled By The Gear Shift Lever	
Length X Width	1000x197 mm
Max. Lifting Height	225 mm
Max. Cutting Depth	225 mm

DIMENSIONS

Counterweight Clearance	418.5 mm
Tail Swing Radius	750 mm
Shipping Length	2640 mm
Shipping Width	740 mm
Shipping Height	2250 mm

WORKING RANGES

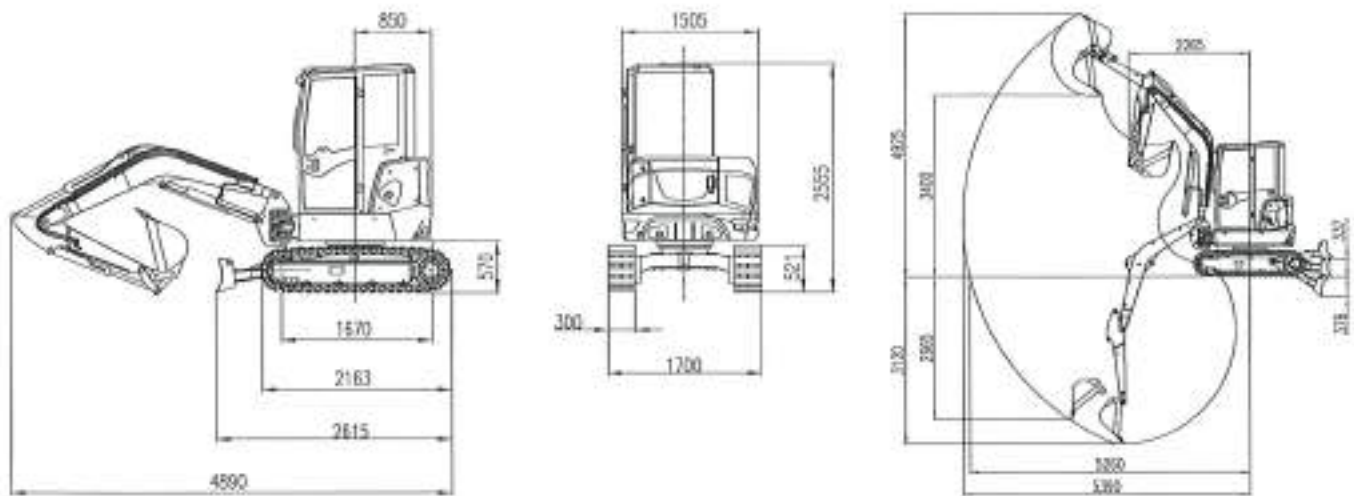
Max. Cutting Height	3085 mm
Max. Loading Height	2305 mm
Max. Digging Depth	1825 mm
Max. Vertical Wall Digging Depth	1440 mm
Max. Digging Reach	3180 mm
Max. Reach at Ground Level	3085 mm
Bucket Digging Force	9.4 kN
Stick Digging Force	5.8 kN
Ground Pressure	24.5 kPa
Swing Speed	8.2 rpm

CAPACITY

Fuel Tank	10 L
Hydraulic Oil Tank	9.5 L

HYDRAULIC SYSTEM

Main Pumps	
Type	3 gear pumps
Displacement	3x9.6 L/min
Working Pressure	2x16 Mpa



Load Capacity

Lift point height	Lift Point Radius MAX		Lift Point Radius 4.0 m		Lift Point Radius 3.5 m		Lift Point Radius 3.0 m		Lift Point Radius 2.5 m	
	Over-front (kg)	Over-side (kg)	Over-front (kg)	Over-side (kg)	Over-front (kg)	Over-side (kg)	Over-front (kg)	Over-side (kg)	Over-front (kg)	Over-side (kg)
3.0	687.3*	382.5	—	—	—	—	—	—	—	—
2.0	774.3*	292.5	817.8*	382.5	878.7*	472.5	1017.9*	645.0	1226.7*	847.5
1.0	809.1*	262.5	957*	337.5	1078.8*	427.5	1357.2*	555.0	1853.1*	757.5

Notes:

- 1) Load with * is limited by hydraulic capacity and based on ISO 10567. Rated loads do not exceed 87% of hydraulic capacity.
- 2) Load without * is limited by tipping load and based on ISO 10567. Rated loads do not exceed 75% of tipping capacity.

ATLAS KOMPAKT

Excavator AC 40UB

Operating Weight	4.13 t (rubber track)/4.22 t (steel track)
Engine Power	23.8 kW/2300 rpm
Engine Brand	KUBOTA
Standard Bucket Capacity	0.11 m ³
Max. Digging Depth	2.65 m



Excavator AC 40UB

Parameter

ENGINE

Brand	KUBOTA
Model	D1803-M-DM-E3B-SWD-1
Type	3-cylinder 4-stroke water-cooled
Displacement	1.826 L
Power	23.8 kW/2300 rpm

ELECTRIC SYSTEM

Nominal Voltage	12 V
Batteries	63 Ah
Alternator	12 V-55 A
Starter	12 V-2.0 kW

DRIVE

Max. Travel Speed (2nd/1st)	4.3/2.7 km/h
Gradesability	30°
Max. Traction	33.5 kN

UNDERCARRIAGE

Undercarriage Width	1740 mm
Shoe Width	300 mm
Length to Center of Rollers	1650 mm
Track Length	2143 mm
Track Height	522 mm

BULLDOZING BOARD

independent moving, controlled by the gear shift lever	
Length X Width	1740X349 mm
Max. Lifting Height	345 mm
Max. Cutting Depth	370 mm

DIMENSIONS

Counterweight Clearance	567 mm
Tail Swing Radius	860 mm
Shipping Length	4923 mm
Shipping Width	1740 mm
Shipping Height	2540 mm

WORKING RANGES

Max. Cutting Height	5002 mm
Max. Loading Height	3502 mm
Max. Digging Depth	3080 mm
Max. Vertical Wall Digging Depth	2600 mm
Max. Digging Reach	5441 mm
Max. Reach at Ground Level	5302 mm
Bucket Digging Force	27.4 kN
Stick Digging Force	19.8 kN
Ground Pressure	36 kPa
Swing Speed	9 rpm

CAPACITY

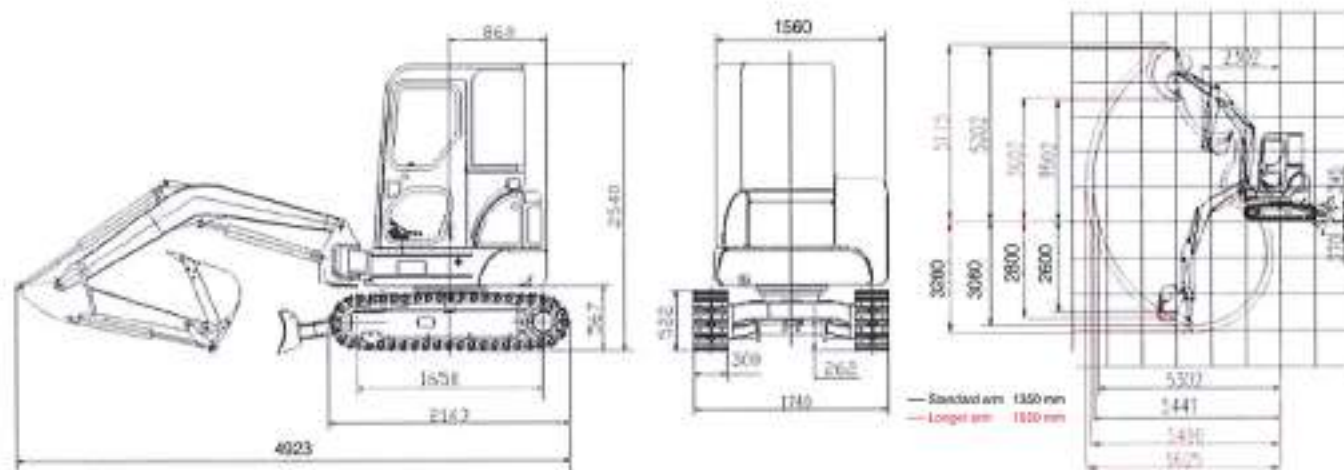
Fuel Tank	40 L
Hydraulic Oil Tank	43 L

HYDRAULIC SYSTEM

Main Pumps	
Type	2 variable displacement pumps, 1 gear pump
Displacement	2x39+27 L/min
Working Pressure	23.5/20 MPa

Excavator AC 40UB

Working Ranges



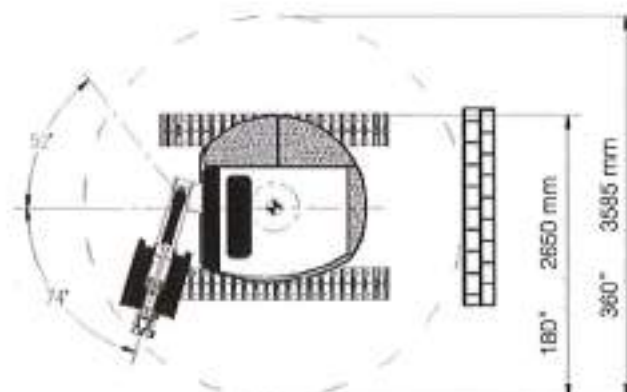
Load Capacity (standard arm: 1.35 m)

B(m)	A(m)	MAX		4.0 m		3.0 m		2.0 m	
		Front(kg)	Side(kg)	Front(kg)	Side(kg)	Front(kg)	Side(kg)	Front(kg)	Side(kg)
3.0		699.90*	457.50	665.55*	761.25	970.05*	810.00	—	—
2.0		712.40*	390.00	891.75*	753.15	1035.30*	843.75	1196.25*	1125.00
1.0		765.60*	375.00	887.40*	483.75	1335.45*	753.75	1922.70*	1029.25
0.0		783.00*	393.75	1035.30*	472.50	1183.20*	705.00	1583.40*	1065.00
-1.0		783.00*	435.00	835.20*	487.50	1039.65*	652.50	1583.40*	978.75
-2.0		506.40*	501.60*	—	—	501.60*	501.60*	554.30*	544.70*

Notes:

- 1) Load with * is limited by hydraulic capacity and based on ISO 10567. Rated loads do not exceed 67% of hydraulic capacity.
- 2) Load without * is limited by tipping load and based on ISO 10567. Rated loads do not exceed 75% of tipping load.

*** ATLAS KOMPAKT GMBH**
 Stedinger Straße 324
 27751 Delmenhorst
 Germany
WWW.ATLAS-KOMPACT.COM



ATLAS KOMPAKT

Excavator AC 60B

Operating Weight	6.24t (rubber track)/6.31t(steel track)
Engine Power	33.7kW/2100rpm
Engine Brand	YANMAR
Standard Bucket Capacity	0.18m ³
Max. Digging Depth	3.7m



Excavator AC 60B

Parameter

ENGINE

Brand	Yanmar
Model	4TNV94L-BV5U
Type	4-cylinder 4-stroke water-cooled
Displacement	3.054L
Power	33.7kW/2100rpm

DIMENSIONS

Counterweight Clearance	700mm
Tail Swing Radius	1800mm
Shipping Length	5877mm
Shipping Width	1900mm
Shipping Height	2615mm

ELECTRIC SYSTEM

Nominal Voltage	12V
Batteries	120Ah
Alternator	12V-55A
Starter	12V-3.0kW

WORKING RANGES

Max. Cutting Height	5620mm
Max. Loading Height	4010mm
Max. Digging Depth	3700mm
Max. Vertical Wall Digging Depth	2840mm
Max. Digging Reach	6125mm
Max. Reach at Ground Level	5985mm
Bucket Digging Force(ISO)	46.8kN
Stick Digging Force(ISO)	31.1kN
Ground Pressure	35.6kPa
Swing Speed	9.4rpm

DRIVE

Max. Travel Speed (2nd/1st)	4.74/2.75 km/h
Gradeability	35°
Max. Traction	42.1kN

UNDERCARRIAGE

Undercarriage Width	1890mm
Shoe Width	400mm
Length to Center of Rollers	1965mm
Track Length	2495mm
Track Height	594mm

CAPACITY

Fuel Tank	113L
Hydraulic Oil Tank	96L

BULLDOZING BOARD

independent moving, controlled by the gear shift lever	
Length X Width	1900X340mm
Max. Lifting Height	445mm
Max. Cutting Depth	337mm

HYDRAULIC SYSTEM

Main Pumps	
Type	2 variable displacement pumps, 1 gear pump
Displacement	2x59+42 L/min
Working Pressure	2x24.5+21 MPa

Excavator AC 60B

Working Ranges



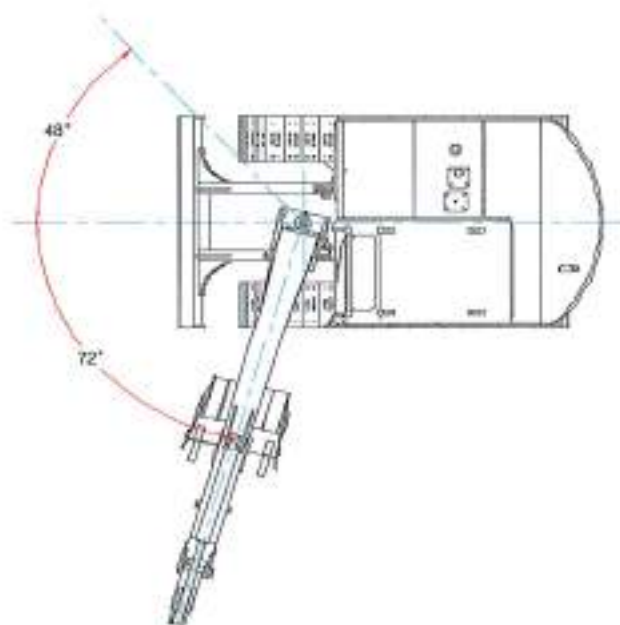
Load Capacity (standard arm: 1.6m)

B(m)	A(m)	MAX		5.0m		4.0m		3.0m	
		Front(kg)	Side(kg)	Front(kg)	Side(kg)	Front(kg)	Side(kg)	Front(kg)	Side(kg)
4.0		885.40*	837.50*	—	—	842.30*	861.40*	—	—
3.0		866.20*	581.70	—	—	885.40*	871.00*	—	—
2.0		832.70*	486.80	—	—	981.10*	697.20	1316.10*	1301.70*
1.0		890.20*	449.70	918.90*	474.50	1115.10*	631.20	1703.70*	969.50
0.0		1186.90*	585.80	1196.40*	614.70	1483.60*	750.90	1971.70*	1043.80
-1.0		1172.50*	614.70	—	—	1182.10*	639.50	1617.60*	837.50
-2.0		713.10*	833.40	—	—	713.10*	833.40	1397.40*	915.90

Notes:

- 1) Load with * is limited by hydraulic capacity and based on ISO 10567. Rated loads do not exceed 87% of hydraulic capacity.
- 2) Load without * is limited by tipping load and based on ISO 10567. Rated loads do not exceed 75% of tipping load.

ATLAS KOMPAKT GMBH
 Stedinger Straße 324
 27751 Delmenhorst
 Germany
WWW.ATLAS-KOMPAKT.COM





GANDERKESEE FACTORY

Atlas GmbH
Atlasstraße 6
D-27777 Ganderkesee,
Germany

Tel.: +49 (0) 4222 954 0
Fax: +49 (0) 4222 954 220
E-mail: info@atlasgmbh.com
www.atlasgmbh.com



VECHTA FACTORY

Atlas GmbH
Theodor-Heuss-Str. 3
D-49377 Vechta
Germany

T: +49 (0) 4441 954 0
F: +49 (0) 4441 954 299
E-mail: info@atlasgmbh.com
www.atlasgmbh.com



DELMENHORST FACTORY

Atlas GmbH
Stedinger Straße 324
D-27751 Delmenhorst
Germany

T: +49 (0) 4221 49 10
F: +49 (0) 4221 49 14 48
E-mail: info@atlasgmbh.com
www.atlasgmbh.com



ATLAS CRANES UK LTD NATIONAL SALES & SERVICE FACILITY

Wharfedale Road,
Euroway Trading Est.
Bradford, England BD4 6SL
United Kingdom
T: +44 8444 99 66 88
F: +44 1274 65 37 85
E-mail: atlasuk@atlasgmbh.com
www.atlas-cranes.co.uk
www.atlasgmbh.com



ATLAS SPARE PARTS GMBH CRANE & EXCAVATORS PARTS

Atlasstraße 6
D-27777 Ganderkesee,
Germany

Tel.: +49 4222 954 0
E-mail: info@spsgmbh.com
www.SPSGmbH.com

