

EDDIE TECHNOLOGY

Your First Choice



ISO9001 . ISO14001 . BS0HSAS18001

EDT SERIES

HYDRAULIC BREAKER

Quick Coupler / Compactor
Hydraulic Shear / Crusher / Pulverizer
Wood / Stone Grapple

YANTAI EDDIE PRECISION MACHINERY CO., LTD.



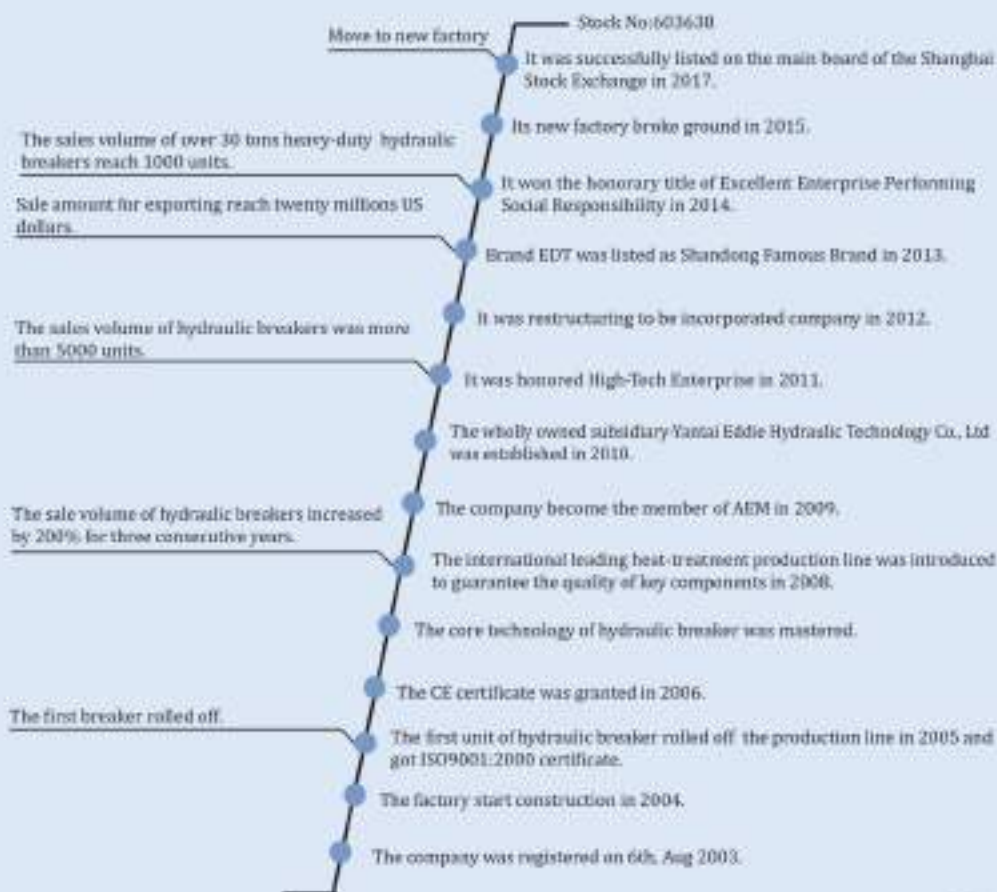
Add:356 Chengjiang Road, Yantai Economic & Technological Development Zone,
Yantai city, Shandong Province,China. PC: 264005
Tel: +86-535-6392926-837 Fax: +86-535-6399419
International business +86-535-6392925-837 Fax: +86-535-6396538
E-mail: edt@ceddta.com website: www.ceddta.com
www.edt



YANTAI EDDIE PRECISION MACHINERY CO.,LTD.

Professional manufacturer Professional choice

Company history



Motor Division



Hydraulic Factory



Company HQ (Hydraulic Breaker Factory)



Gear Division



Professional manufacturer Professional choice



ISO9001:2015



Occupational Health and Safety Management System Certificate (OHMS)



Environmental Management System Certificate (EMS)



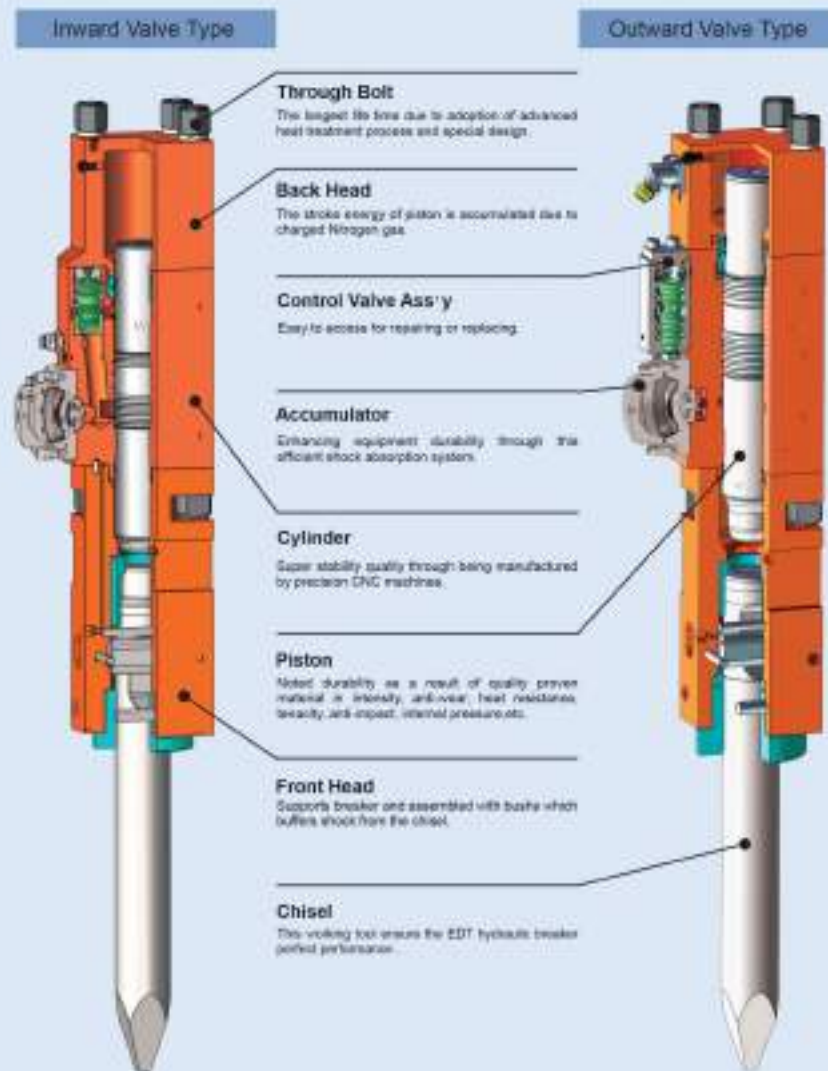
AEM



CE



Noise Control



EDT SERIES HYDRAULIC BREAKER

Medium-duty Hydraulic Breakers

- Best quality control
- Optimized design
- Professional manufacturing process



ISO9001 . ISO14001 . BS0HSAS18001

Professional manufacturer Professional choice



Top Type



Side Type



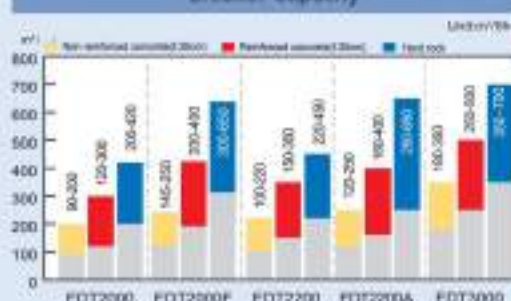
Box-Bracket Type



SPECIFICATION

Spec	Unit	EDT2000	EDT2000F	EDT2200	EDT2200A	EDT3000
Body weight	kg	360	444	528	666	1582
Total weight	kg	1852/1847/1852	1882/1892/1920	1774/2099/2311	1888/2094/2311	2218/2362/2447
Outline dimension (L*W*H)	Size	3420*575*1200	3420*575*1200	3480*575*1355	3480*575*1335	3540*685*1343
	Top	2360*575*715	2656*575*715	2885*575*715	2996*575*715	2897*660*760
	Box	2847*575*715	2648*575*715	2752*575*715	2753*575*715	3002*660*760
Operating pressure	kg/cm ²	183-180	180-180	180-180	180-180	180-180
Oil flow range	l/min	130-150	145-160	120-180	120-180	150-190
Diameter of hose	inch	1	1	1	1	1
Diameter of tool	mm	135	135	145	142	150
Impact frequency	bpm	450-500	360-460	350-500	350-500	350-700
Suitable carrier	kn	18-26	18-28	18-26	18-26	27-38

Breaker Capacity



APPLICABLE EXCAVATOR

Model	CAT	KUBOTA	DOosan CAPSIO	HYUNDAI	HYUNDAI	KOMATSU	SKIDOO	KATO	SHANT	LIANGZHI	STRONG	LIANGZHI	FUCHA	GENIE	SHANGHAI	ZOOMLION	LEDAI	JINJIANG	SHANTUI	
EDT2000	E200B 130C-132	PC200 PW315	D420E D425E	R620E R621E R21E	DO200 DO210 DO215	SK200 SK205 SK210 SK215	SK200 SK205 SK210	ED200 ED210	H4100 H4200 H4300	SH180C-8 SH210C-8 SH230C-8 SH250C-8	LI0200 LI0250 LI0300	JCM240 JCM210 JCM220 JCM230 JCM240 JCM250	LG0218E LG0225E LG0230E LG0235E	200	218.C-8 238.C-7B	SWE20	ZC200 ZC210E ZC230E ZC240E	210-220	JY210 JY215 JY220 JY230	SH200 SH210 SH220 SH230
EDT2000F	E200B 130C-132	PC200 PW315	D420E D425E	R620E R621E R21E	DO200 DO210 DO215	SK200 SK205 SK210 SK215	SK200 SK205 SK210	ED200 ED210	H4100 H4200 H4300	SH180C-8 SH210C-8 SH230C-8 SH250C-8	LI0200 LI0250 LI0300	JCM240 JCM210 JCM220 JCM230 JCM240 JCM250	LG0218E LG0225E LG0230E LG0235E	200	218.C-8 238.C-7B	SWE20	ZC200 ZC210E ZC230E ZC240E	210-220	JY210 JY215 JY220 JY230	SH200 SH210 SH220 SH230
EDT2200	E210 135 135C	PC220 PC225	D420E D425E	R620E R621E R21E	DO210 DO215 DO220	SK220 SK225 SK230 SK235	SK220 SK225 SK230	ED220 ED230	H4200-5 H4300 H4400	SH180C-8 SH210C-8 SH230C-8 SH250C-8	LI0210 LI0220 LI0230 LI0240	JCM240 JCM210 JCM220 JCM230 JCM240 JCM250	LG0218E LG0225E LG0230E LG0235E	230 240	238.C-7B 248.C-8	FW20	ZC200 ZC210E ZC230E ZC240E	220-240 250	JY210 JY215 JY220 JY230	SH200 SH210 SH220 SH230
EDT2200A	E210 135 135C	PC200 PC225	D420E D425E	R620E R621E R21E	DO210 DO215 DO220	SK220 SK225 SK230 SK235	SK220 SK225 SK230	ED220 ED230	H4200-5 H4300 H4400	SH180C-8 SH210C-8 SH230C-8 SH250C-8	LI0210 LI0220 LI0230 LI0240	JCM240 JCM210 JCM220 JCM230 JCM240 JCM250	LG0218E LG0225E LG0230E LG0235E	230 240	238.C-7B 248.C-8	SWE20	ZC200 ZC210E ZC230E ZC240E	220-240 250	JY210 JY215 JY220 JY230	SH200 SH210 SH220 SH230
EDT3000	E300 138	PC300 PC315 PC330	D420E	R620E R250	DO240 DO250	SK300 SK305 SK310 SK315	SK300 SK305 SK310	ED300	H4100 H4110 H4120	SH180C-8 SH210C-8 SH230C-8 SH250C-8	LI0300	JCM300 JCM270 JCM280	LG0300E		SWE30	DC300	300	JY300 JY310	SH300 SH310 SH320	

EDT SERIES HYDRAULIC BREAKER

- Backhoe Loader Type
- Skid Steer Loader Type Breaker
- Auto-Grease-Device(AGD)



ISO9001 . ISO14001 . BS0HSAS18001

Professional manufacturer Professional choice

Skid Steer Loader (SSL)

The skid steer loader type breakers are specially developed for skid steer loaders to meet the market requirement of higher impact energy and optimal performance.

Such as : Bobcat185, Cat226, Cat216, 226, 262 and other brands and models.



SPECIFICATION	AGD-R400	AGD-R003
Output Pressure	30bar-30bar	25bar-20bar
Cartridge Capacity	400 ml	500 ml
Exterior Size	140mm x 91mm x 302mm	140mm x 91mm x 320mm
Weight Without Grease	5.2 Kg	4.5 Kg
Output Port Size	HP 1/4"	HP 1/4"
Running time For Cartridge (Normal Condition)	20ton excavator 4-6 days 40ton excavator 1-2 days	20ton excavator 3-4 days 40ton excavator 1-2 days
Grease type	MoS2 NLGL NO.2(normal) NLGL NO.1(under 10°C) NLGL NO.0(under 0°C)	MoS2 NLGL NO.2(normal) NLGL NO.1(under 10°C) NLGL NO.0(under 0°C)
Normal Temperature Range	-10°C - 50°C	-10°C - 60°C
Permissible Temperature Range	-20°C - 90°C	-20°C - 90°C

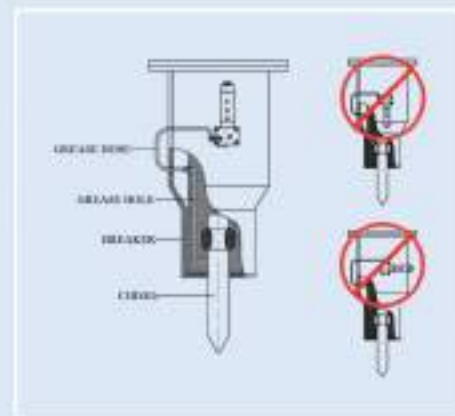
Backhoe Loader

The backhoe loader type breakers are developed for backhoe loader to meet the required design for demolition.

Such as : JCB3cx, 3dx, 4cx, Case580M, Cat416D, John Deere 310J, 410J



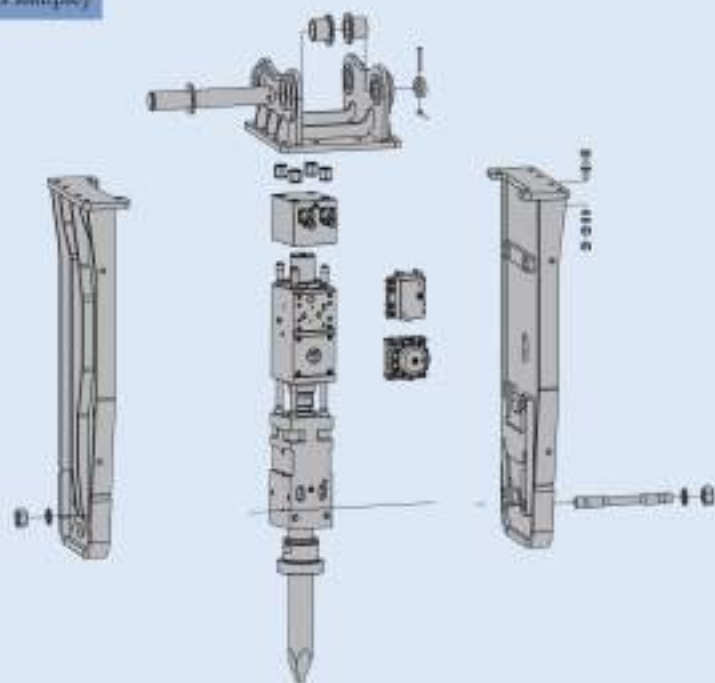
All of these types can fit to Backhoe Loader



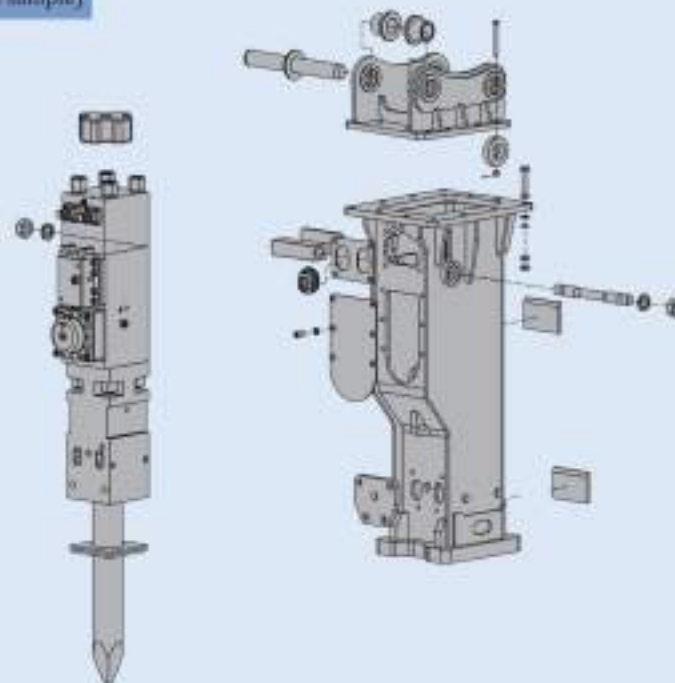
Professional manufacturer Professional choice



(EDT2000 as sample)



(EDT2000F as sample)

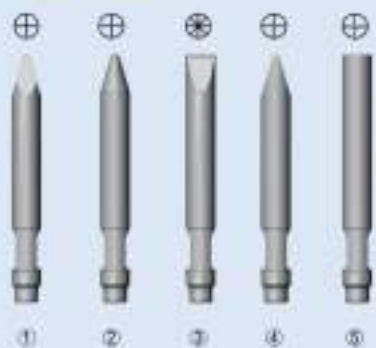


Professional manufacturer Professional choice

EDT Piping Kit



EDT Chisel



①	MDIL POINT TYPE	M	Multiple Purpose
②	CONICAL TYPE	C	Multiple Purpose
③	H-WEDGE TYPE	H	Trenching, Asphalt, Concrete
④	V-WEDGE TYPE	V	Trenching, Asphalt, Concrete
⑤	BLUNT TYPE	B	Solders, Concrete



Model	EDT 100	EDT 200	EDT 300	EDT 400	EDT 430	EDT 435	EDT 450	EDT 500	EDT 500S	EDT 600	EDT 600S	EDT 600SA	EDT 600S	EDT 700S	EDT 800S	EDT 800S	EDT 800S	EDT 900S	EDT 1000S
Dis. (mm)	40	45	52	60	75	80	85	100	120	125	135	140	150	155	165	175	185	185	210
Length (mm)	400	500	580	700	750	740	740	1130	1130	1200	1200	1300	1300	1530	1500	1600	1700	1700	1800
Weight (Kg)	4	8	9	14	24	28	31	60	102	127.5	124	135	157	208	215	225	290	250	415

EDT SERIES EXCAVATOR ATTACHMENT



ISO9001 . ISO14001 . BSOHSAS18001

Professional manufacturer Professional choice



Main gate of HQ



CNC machining centre



Painting line



Heat-treatment line



Vertical grinding machines



Spare parts warehouse



Plasma cutting line



Robot welding



Blasting line



Test bench



Packing



Delivery

EDDIEs' Mission

To Build a New World, Create a New Life!

